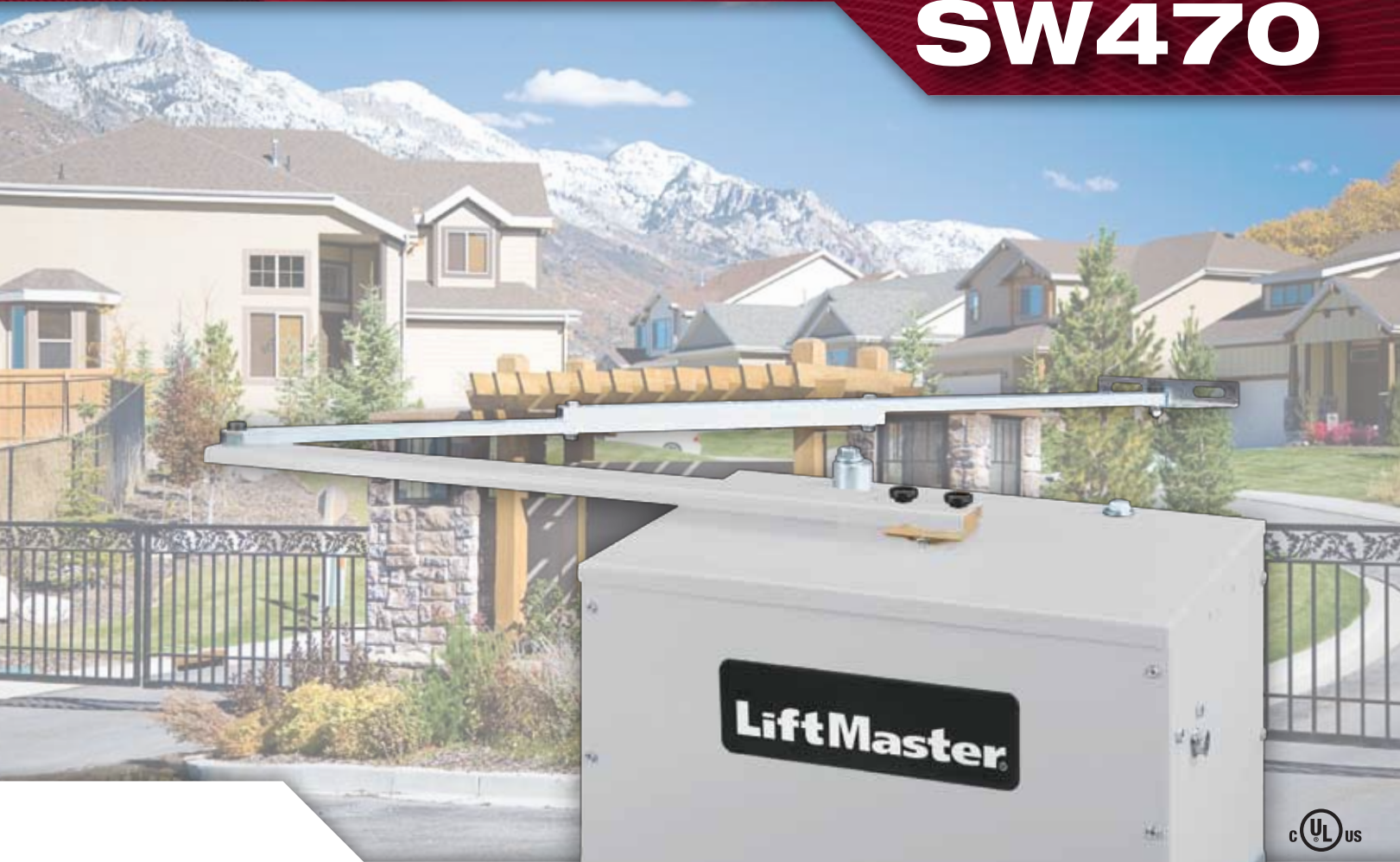


COMMERCIAL SWING GATE OPERATOR

**SW470**



**LIGHT-DUTY COMMERCIAL SWING GATE OPERATOR**

**Designed for use in commercial applications.**

Supporting gate lengths up to 12 ft., gate weights up to 500 lbs. and utilizing a weather-resistant powdercoated steel enclosure ensures rugged and reliable performance. This model is ideal for commercial applications and is fully UL325-compliant.

**Built-In Receiver**



Exclusive from LiftMaster®, a single remote control solution for gate access and additional access points.

**LiftMaster®**

# SW470

## STANDARD FEATURES

### Inherent Obstruction Sensing

This unit's internal obstruction sensing system offers a single force adjustment for both the open and closed directions. If the gate strikes an obstruction, a closing gate will reverse to open and an opening gate will reverse to close.

### External Obstruction Sensing

Input connections are provided for external contact and non-contact sensors, such as photo-eyes and edge devices.

### Advanced Dual Gate Operation

This convenient 2-wire system allows the operation of 2 separate gate operators in unison at a single entrance. This advanced system provides the added convenience of connecting accessories to either operator.

### Digital Logic Control

Supports long-distance control wiring runs of over 1,000 ft., providing you greater flexibility of gate operator site placement.

### LED Indicators

Operator input, status and diagnostic LEDs simplify setup and troubleshooting.

### Control Inputs

Control inputs allow the connection of a full range of optional external devices like loop detectors, telephone entry systems, access control systems and radio receivers.

### Warning Device

UL325-compliant entrapment warning alarm has the ability to be set for pre-operation warning. This will provide a 3-second warning prior to and during gate movement.

### Loop Detector Inputs

A full range of inputs are available to support exit, shadow and interrupt loop detectors.

**To comply with UL325, installation of secondary entrapment protection devices is required with this operator. Ask your installer which safety device is correct for your application.**

### Timer To Close

Adjustable timer can be set from 1 to 180 seconds. The unit will automatically reset upon receiving any additional open commands.

### Maximum Run Timer

Protects against damage to the gate and operator by limiting the unit's run time to 120 seconds.

### Maglock Control

A dedicated control relay is provided to activate and deactivate an optional magnetic lock for securing the gate.

### Gear Drive Reduction

The wormgear 30-to-1 reduction unit is saturated in an oil bath for strong fluid motion of the operator.

### Limit Settings

All driven limit cams are fully adjustable, adding considerable convenience to unit installation and maintenance.

### Surge & Spike Protection

Specially designed circuitry provides excellent protection from external spikes or surges.

### Manual Disconnect

Ensures that manual operation is possible during emergencies and maintenance work.

### Removable Access Control Panel

A removable access door is incorporated into the design to provide easy access to the electronics when programming and for maintenance.

## SPECIFICATIONS

### Operator Speed

90° swing in 12 seconds

### Power

115/230 VAC,  
Single Phase - 60Hz

### Accessory Power

One - 24VAC

### Operator Weight

110 lbs.

### UL Listed

UL991  
UL325 - Class I, II, III and IV

### Construction

Gear Reduction:

30:1 Wormgear in Oil

Motor:

1/2 HP High-Starting Torque

Metal Frame:

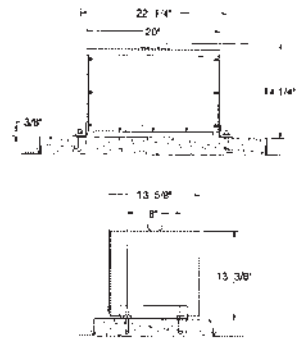
Pre-Galvanized Steel

Enclosure:

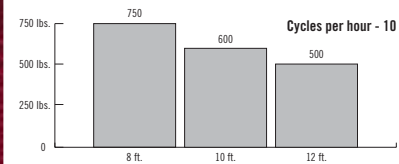
Weather-Resistant 14-Gauge

Pre-Galvanized Steel

### Dimensions



### Recommended Capacities



## OPTIONAL EQUIPMENT

Self-Regulating Heater\*

Auxiliary Limit Switches

Auxiliary Contact Blocks

Remote Antenna Mounting Kit

\* Heater Kits are meant for factory installation

**2 YEAR WARRANTY**

# LiftMaster®

THE CHAMBERLAIN GROUP, INC.  
845 Larch Avenue • Elmhurst, IL 60126

[www.liftmaster.com](http://www.liftmaster.com)

