

1603 TRAFFIC CONTROL



BARRIER GATE AUTO SPIKE SYSTEM



surface mount
spikes install easily without
trenching and double as a
speed bump



transfer box
provides direct mechanical
linkage between the barrier
operator and spikes



spikes
available in 3 foot sections



**automatic
sequencing**
when used in conjunction with
slide or swing gate operators

1603 Barrier Operator

- Designed to link mechanically with the automated spikes
- 1/2 HP 115, 230, 460 VAC (DC powered convenience open option available)
- Maintenance free magnetic limits
- Up input memory buffer
- Multiple UP command options
- Ports for plug-in loop detectors
- 2 Convenience outlets
- Automatic sequencing
- 14-foot aluminum or wood arm

Automated Spikes Components

- Transfer box mechanically links the 1603 barrier operator to the traffic spikes
- Tunnel sections are available in 2 or 3 foot sections
- Spike sections are available in 3 foot sections
- End cap provides a smooth end to the spike section
- Optional signal light (red/green) is synchronized with the barrier arm
- Optional warning sign warns drivers to proceed only when spikes are retracted

FEATURES

ACCESS CONTROL SOLUTIONS



The DKS model 1603 Barrier Gate Operator / Automated Spike System is designed as a modular system allowing for easy flexibility in different applications and easy installation. The 1603 operator is designed with many advanced features and mechanically links the spikes to the barrier arm. The 1603 auto-spike system is ideal for parking lots, rental car agencies, schools, car dealerships, government agencies, or in any application where a higher degree of traffic control is preferred.

1 Operator

15.25" W x 43.5" H x 15.5" D
(387mm W x 1105mm H x 394mm D)

- 1/2 HP, 115, 230, 460 VAC *
- Mechanically links operator arm to the transfer box/spike system.
- * 230 and 460 VAC units use a step-down transformer to achieve 115 VAC operating voltage.

2 Transfer Box

surface mount
15" W x 4" H x 15.5" D
(381mm W x 101.6mm H x 394mm D)

- Transfer box provides a mounting platform for the 1603 operator and links the operator to the spike units.

3 Tunnel Section

surface mount
31" W x 3" H x 24" or 36" L
(787mm W x 76.2mm H x 610mm or 914mm L)

- Tunnel sections provide an extended connection from the transfer box to the spike sections.
- Tunnel sections can be mixed to create the desired length and are used when the 1603 is set back from the curb.

4 Spike Section

surface mount
31" W x 3" H x 36" L
(787mm W x 76.2mm H x 914mm or 1829mm L)

- Spike sections can be mixed to create the desired length. For example, 3' sections can be combined for an overall 6', 9', or 12' spike section.

5 End Cap

31" W x 3" H x 12.25" D
(787mm W x 76.2mm H x 311mm D)

- Provides a smooth end to the spike section.

Barrier Arm

- 14-foot round (3") aluminum arm painted white with yellow/black visibility tape.
- 14-foot 1x4 wood arm painted white with yellow/black visibility tape.

7 Signal Light (option)

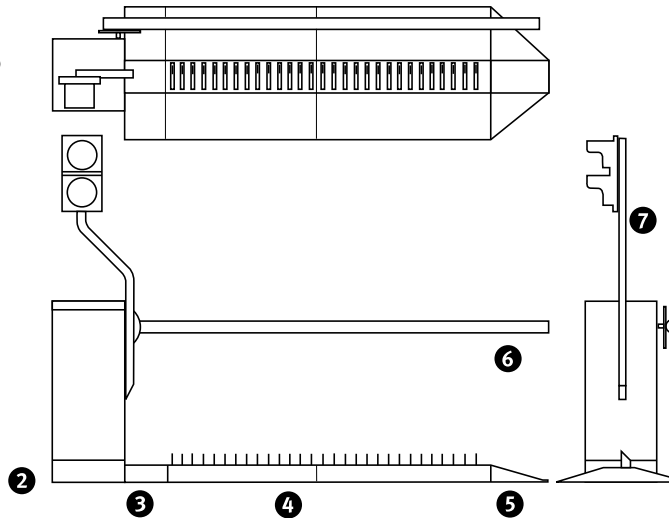
9.75" W x 21" H x 14" D
(247mm W x 533mm H x 355mm D)
(includes lens shield)

- 115 VAC
- 8" Red and Green lenses
- 8000 hour / 67 watt traffic bulbs
- Mounting bracket for easy attachment to the 1603 operator
- 1 year limited warranty

Warning Sign (option)

24" W x 24" H x 8" D
(610mm W x 610mm H x 203mm D)

- 115 VAC
- Two 20 watt fluorescent lamps and one 150 watt flood lamp
- Light sensor turns sign on at dusk, off at dawn
- 2 year limited warranty



1603 Specs

Advanced Features

- Electronic limits
- Auto-close timer 1-23 seconds
- Gate Tracker™ reports operator data to a companion DKS access control system
- Auto-sequencing in conjunction with slide or swing
- 115 VAC convenience outlet for accessory transformers
- Ports for plug-in open (up) and reverse (down) loop detectors. DKS plug-in detectors only
- Up input memory buffer
- Down memory option
- Multiple up commands

Options

- DC powered convenience open system that will cause the arm to raise automatically in the event of a power outage
- Heater/fan kits for extreme weather conditions

Operator Mechanical

- Worm gear running in a continuous oil bath
- Operator: G90 galvanized steel painted white

Release Method

- Fail-secure mechanical
- Hand crank allows lowering of the spikes in the event of a power outage.

Operating Temp

- 10°F to 115°F
- 12°C to 46°C

Warranty

- 5 year limited factory warranty on operator
- 1 year limited warranty on transfer box, tunnel sections, spike sections, and end cap

Traffic signal and/or warning sign must be used with this system.

WARNING:

Traffic control auto-spike systems are not intended to be used in areas where vehicular traffic is uncontrolled or crosses over the spikes at an angle other than 90°, or where traffic speeds may exceed 5 MPH. Speed bumps, warning signs and/or traffic signals must be used with auto-spike systems.

Distributed by:

DOORKING®, INC.

120 Glasgow Avenue, Inglewood, California 90301 U.S.A. Tel: 310-645-0023 FAX: 310-641-1586 www.doorking.com

© 2011 All Rights Reserved. Product specifications may change without notice. Rev. 2/11

MEMBER:

